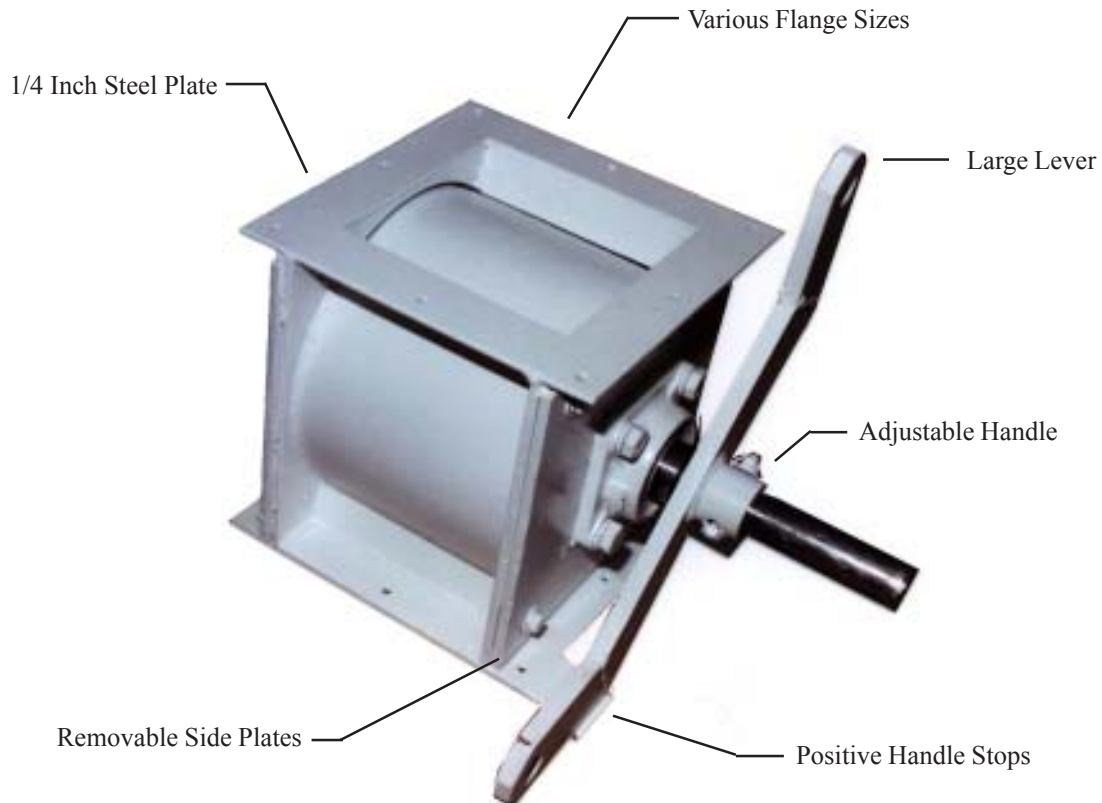


COFFMAN SYSTEMS, INC.

WATER, WASTE & INDUSTRIAL PROCESS EQUIPMENT
SALES - ENGINEERING - SERVICE

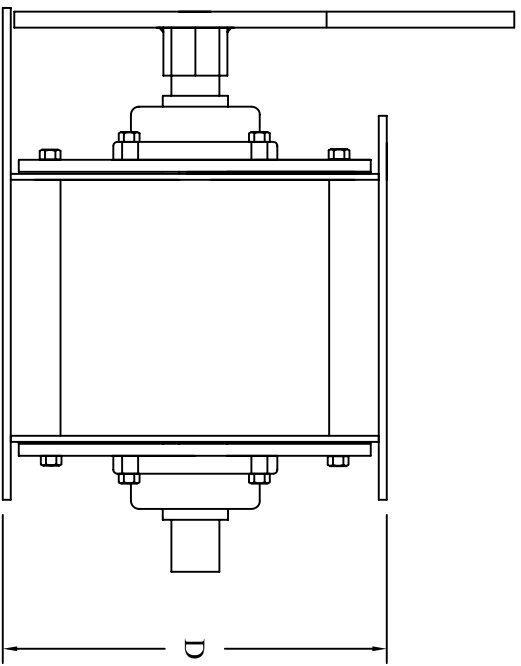
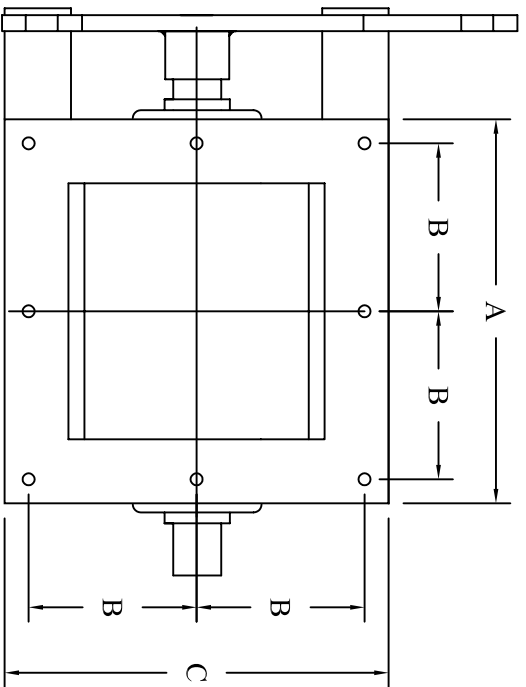
ROTARY BIN GATE MODEL 92-01



Standard Features

- Tightly closing bin gate for use with chemical feeders
- Heavy duty construction - optional 316 stainless steel
- Easy removal of rotor without unbolting from hopper
- Standard clearance of 1/32 " between rotor and housing
- Optional sensor switches or pneumatic handles

Note: Unit shown with 8 x 8 inch inlet.



ROTARY BIN GATE

DIMENSION (IN INCHES)				
MODEL	A	B	C	D
92-02	12.00	5.25	12.00	10.00
92-04	19.00	4.00	14.00	10.00

