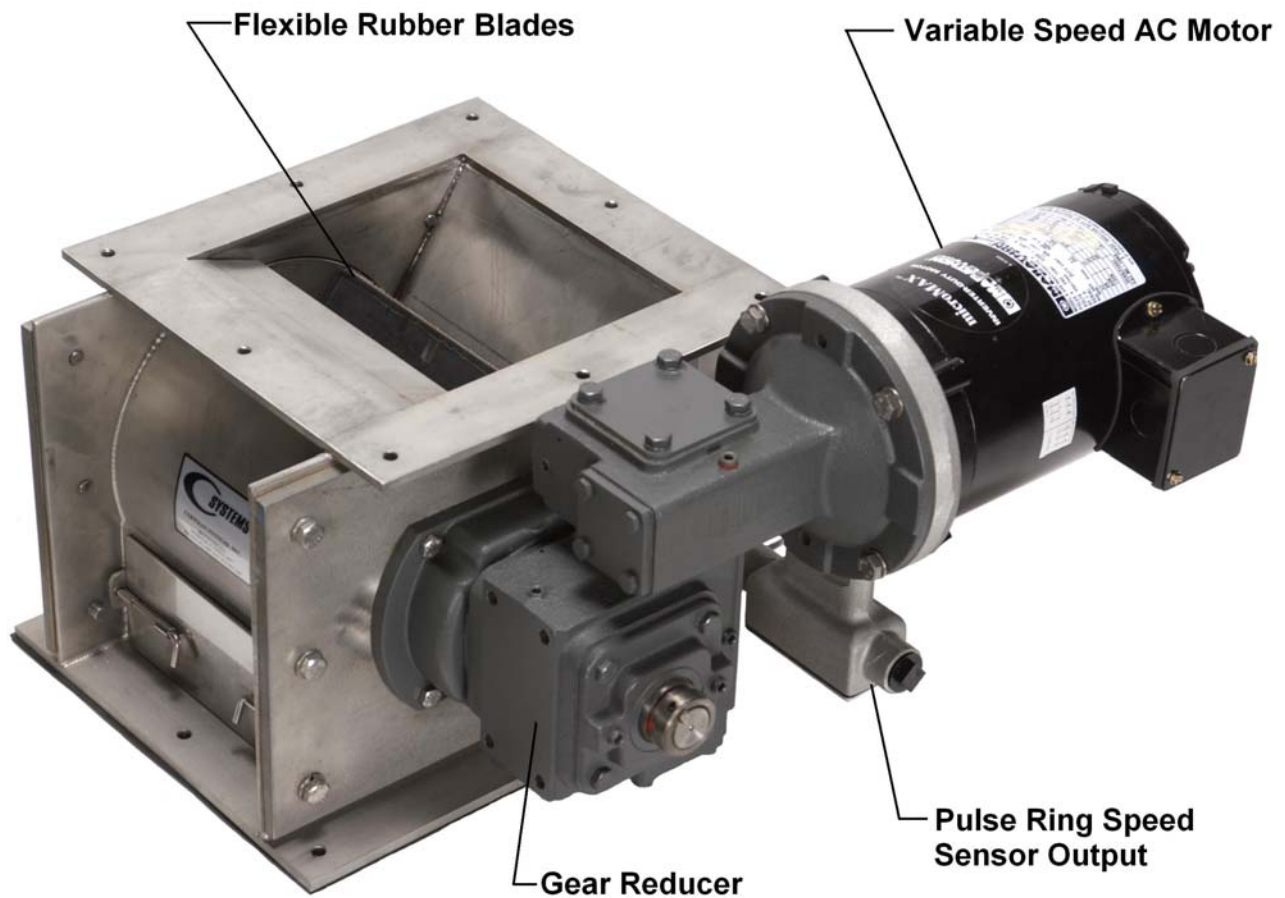




**COFFMAN SYSTEMS
CHEMICAL FEEDER
MODEL 24-02**



300 Stevens Avenue • Oldsmar, FL 34677 • Phone (813) 891-1300
www.coffmansystems.com • Email: sales@coffmansystems.com



Non-Flood Rotary Volumetric Dry Materials Feeder

Standard Features

- 316 Stainless Steel construction
- Heavy duty, dust tight
- Outboard ball bearings with grease fittings
- Long lasting flexible rubber blades
- All internal parts may be replaced without removing Feeder
- Vibrating bias plate to insure a constant feed of material
- Built in inspection chute
- Accuracy +/- 1% (total deviation) for most materials

